

Xtruder CROW MKII

P/N: 60281466 -XX
NSN: 6230-22-633-2135

Maximize and support combat & mission effectiveness

Experience unmatched performance with the Xtruder CROW MK2, a non-lethal, multispectral illuminator. Elevate your weapon platforms and sensor systems to gain an advantage in critical missions. Step into the future of illumination with the Xtruder CROW MK2. Specifications:

- *Integratable or standalone illuminator / searchlight / non-lethal effector*
- *Provides multispectral illumination to Remote Controlled Weapon stations (RWS) and other weapon platforms*
- *Modular design fitted with visible and IR light sources*
- *Specifically designed for Kongsberg Protector RS4 RWS*
- *Example configuration available*

Light Sources:

- *High-intensity laser white spotlight*
- *890nm IR LED floodlight*
- *860nm Class 3B IR laser illuminator*
- *532nm Class 3B green laser dazzler*
- *Alternate light sources for 1064 and 1550nm spectrums available*

Additional Features:

- *Visible green laser dazzler for non-lethal actions.*
- *Enhances sensor capabilities through cost-effective upgrades.*

P/N: 60281466 -XX
NSN: 6230-22-633-2135



Product features



SWAP optimized



RS422/Ethernet



Laser/LED technology



Escalation of force upgrade




Camera/sensor enhancement



Danish developed product and quality control

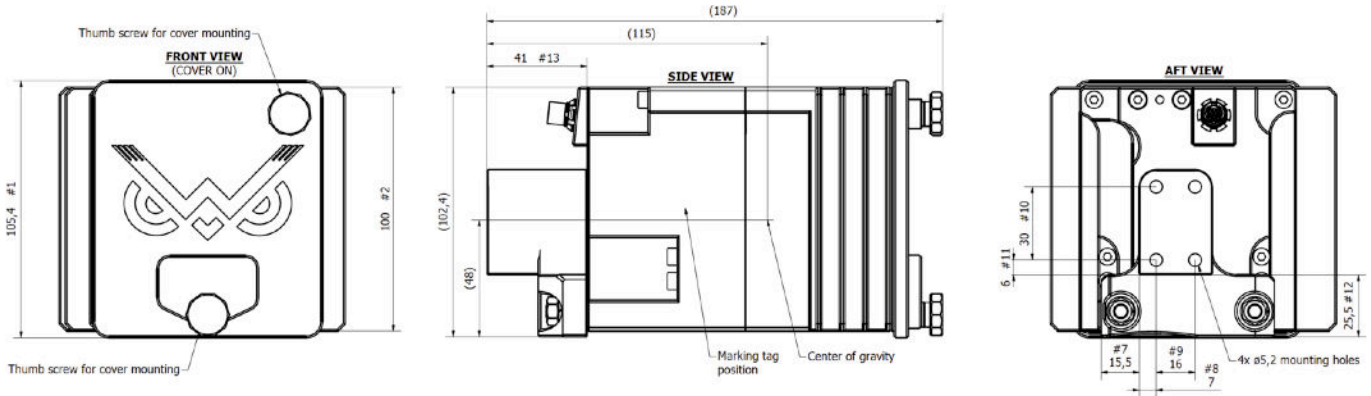


Specifications

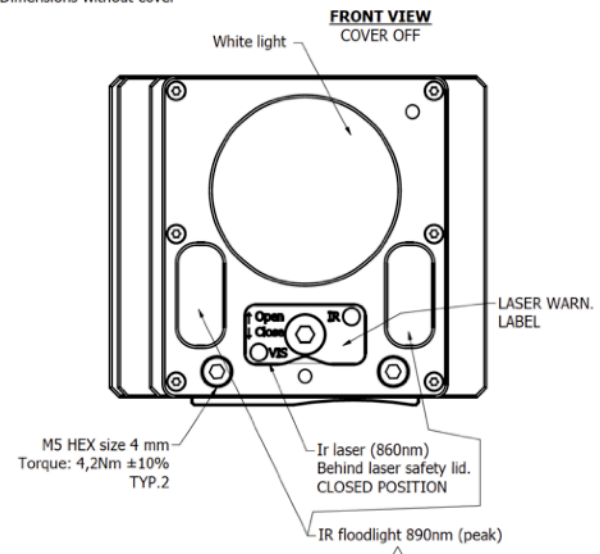


Specifications	CROW MK2 Searchlight/Illuminator
Height	105mm
Length:	126mm
Width:	83mm
Weight	1950 gram
Surface Treatment:	MIL-A86625 TYPE III CLASS 2 Black
MIL-STD compliance	MILSTD 810H/MILSTD-461G/MILSTD 1275E
Power consumption W	40W max
Standby power consumption	1W
Input range (DC)	18-32V DC
Searchlight	1400.000 Candela high intensity spotlight
Infrared flood capacity	890nm (optional 940nm/980nm/1064nm/1550nm)
Infrared Laser output	Class 3B 860nm 499mW
Visible laser output	Class 3B 200mW 532nm green dazzler
Connector:	Fischer UR01W07 M007S BK 1 E2AB /Optional connectors available

P/N: 60281466-XX
NSN: 6230-22-633-2135



Dimensions without cover



About Wiseled

Since the founding of Wiseled in 2003, the company has evolved into an internationally recognized provider of LED and laser illuminators. This has been achieved by means of continuous research and development, engineering and manufacturing excellence, and a steadily growing range of products for the military, maritime and security markets.

Our products are designed for various applications, including integration with optic and sensor modules to enable operations in extreme environmental conditions. Our solutions enhance operator's ability to observe, detect and engage targets with increased accuracy and reduced collateral damage.

Wiseled ApS, Nallebakken 5, 3250, Gilleleje, Denmark
E-mail: contact@wiseled.com

www.wiseled.com



Designed and manufactured in Denmark

